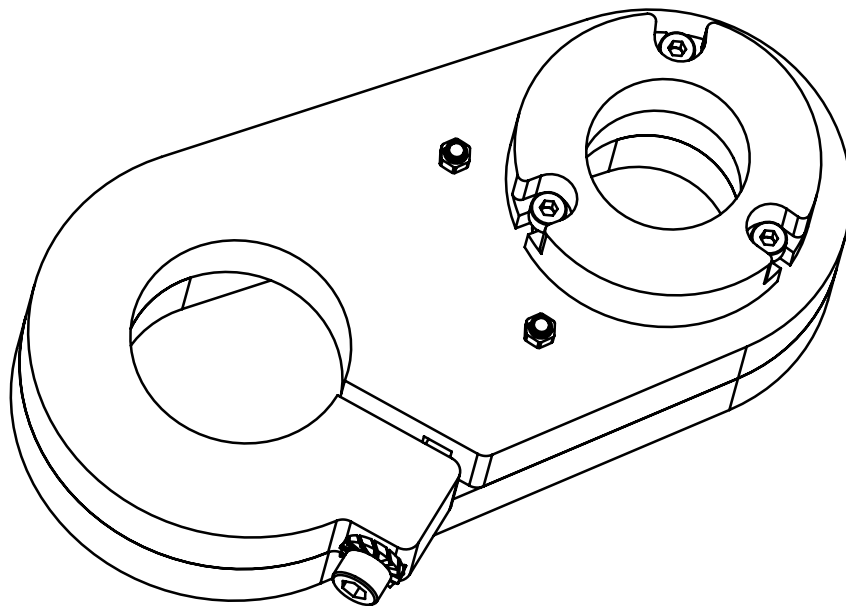


# MEK.A.NIK.A

DUST SHOE  
MOUNTING GUIDE 43 MM

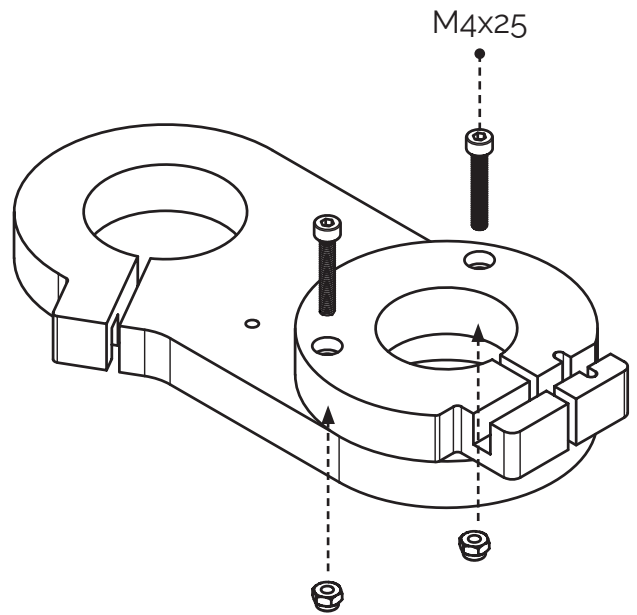


# DUST SHOE

## MOUNTING GUIDE

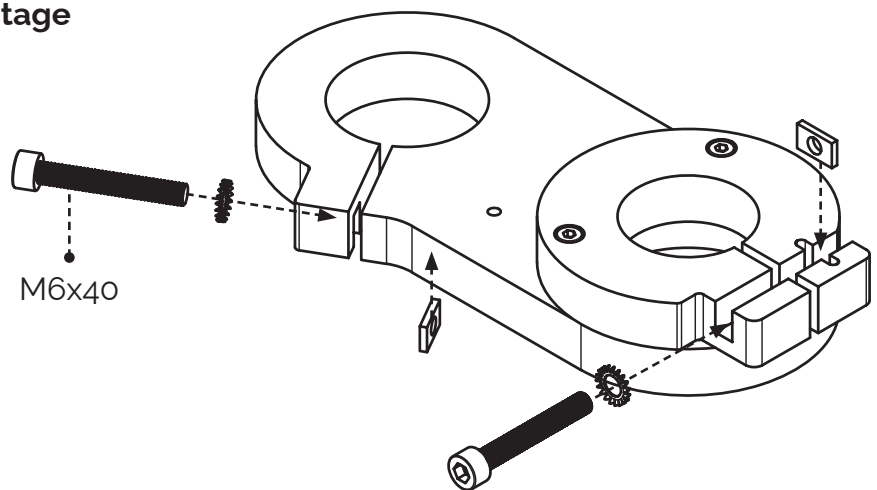
1

Assemble the PMMA parts with the two M4x20 screws as shown. Place the two M4 locknuts in the triangular holes so that they lock when tightened.



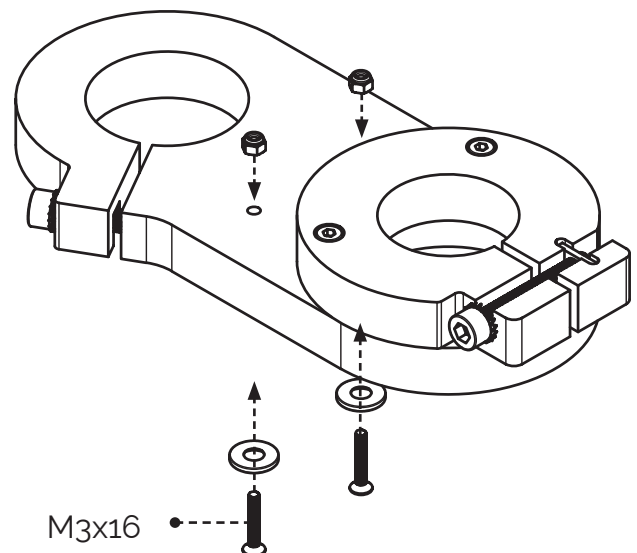
2

Place the M6 rectangular nuts in the provided pin. Tighten the M6x40 screws with the tooth lock washers. **Do not fully tighten at this stage**



3

Attach the two chamfered washers with the M3x16 screws as shown. Use the M3 lock nuts to tighten them

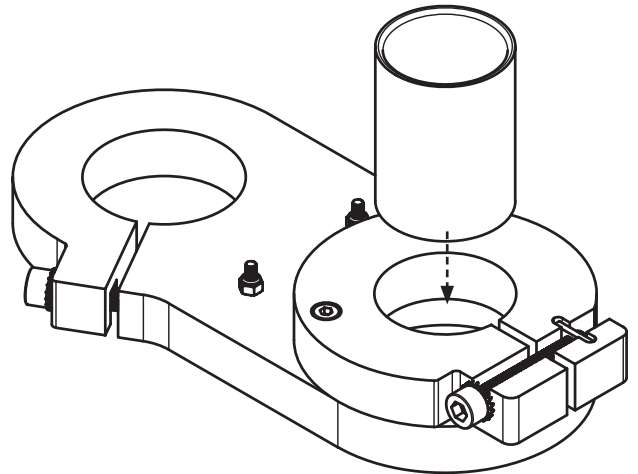


# DUST SHOE

## MOUNTING GUIDE

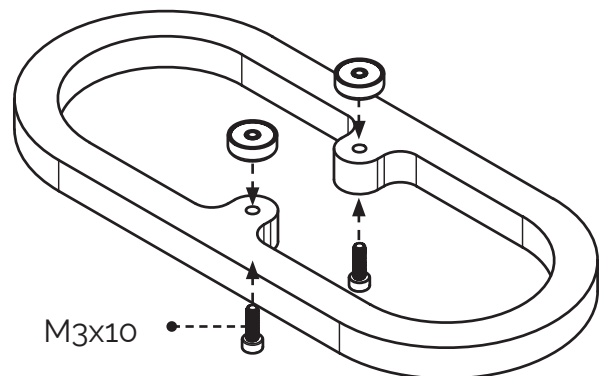
4

Place the plastic adaptor into the clamping ring and tighten it.



5

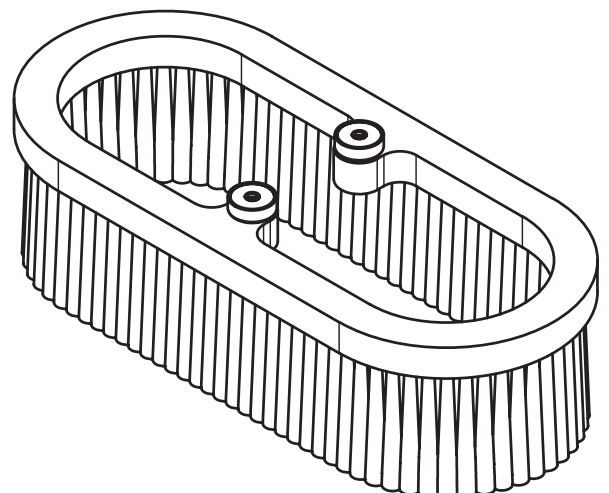
Assemble the magnets on the last PMMA part as shown with the two M3x10 screws.



6

Insert the brush\* part in the slot as shown.

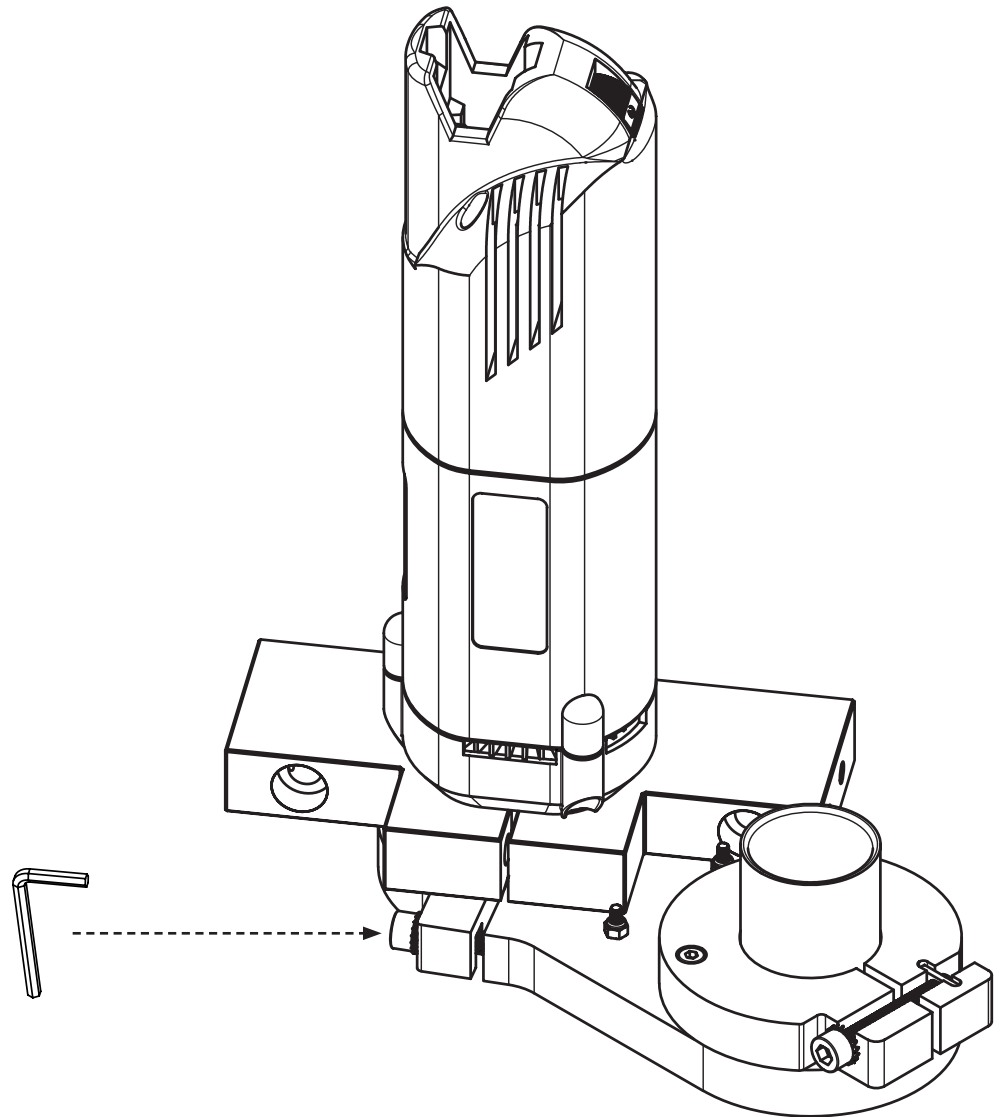
*\*You might have to cut the brush to make it fit the slot perfectly*



# DUST SHOE

MOUNTING GUIDE

- 7 Place the fixed part of the dust shoe on the spindle and tighten it with the 5mm Allen key.



# DUST SHOE

## MOUNTING GUIDE

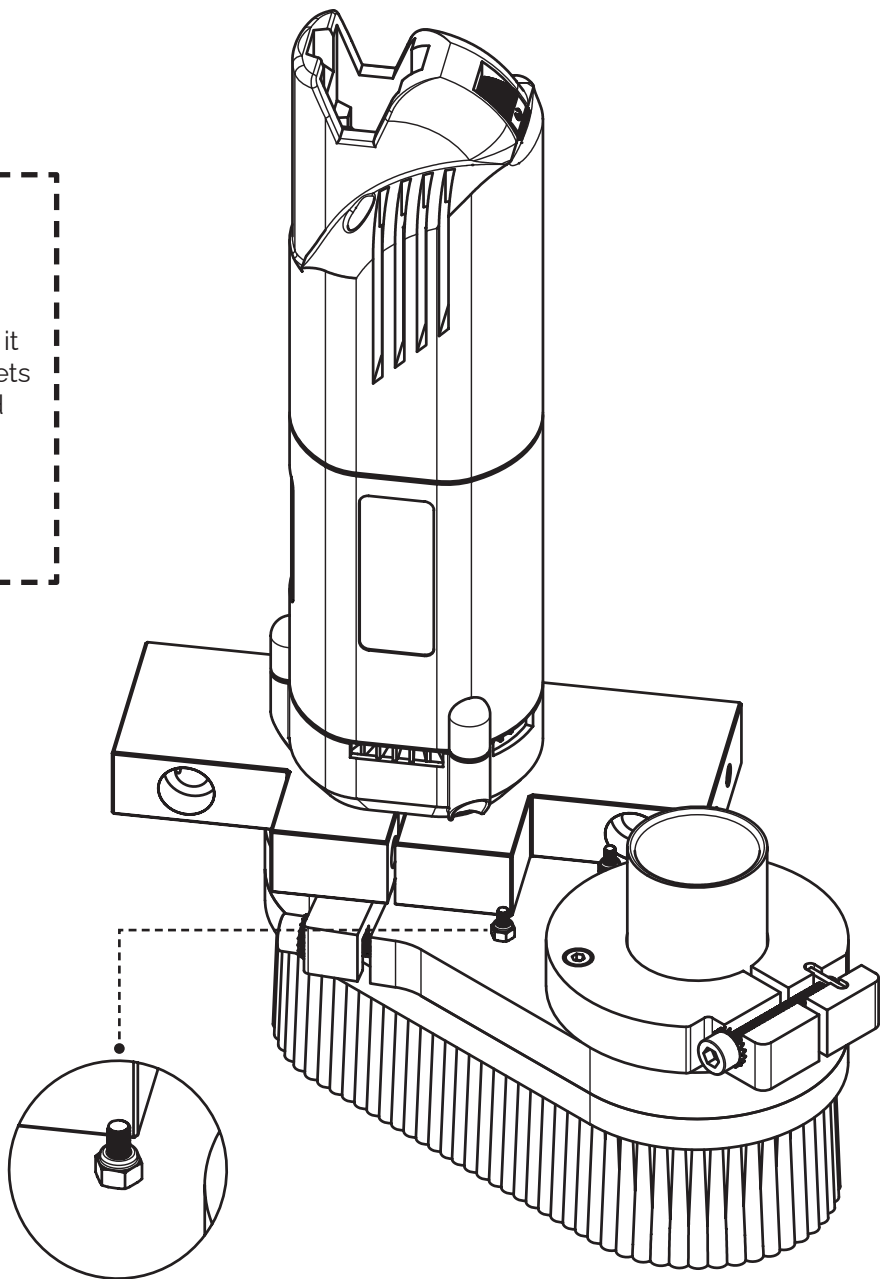
8

Place the bottom part of the dust shoe. The magnets should fit into the notches.

Try to manually pull down the bottom part of the Dust Shoe

If you feel that the magnets attraction is not strong enough, it probably means that the magnets are not touching the chamfered washers. Slightly loosen the locknuts to solve that problem.

Repeat the pull down test.



USE THE DUST SHOE ONLY IF THE MAGNETS STICK  
CORRECTLY TO THE WASHERS  
(if it's not the case, refer to the note above)